

# Product Information Sheet



## Medical



**Type SH5147**  
**6V 25W PY16-1,25**

**Ordering - No.**  
**55147**

### Product Description

Halogen Lamp with Prefocus Base

### Features

Quartz Bulb, Exactly positioned Filament

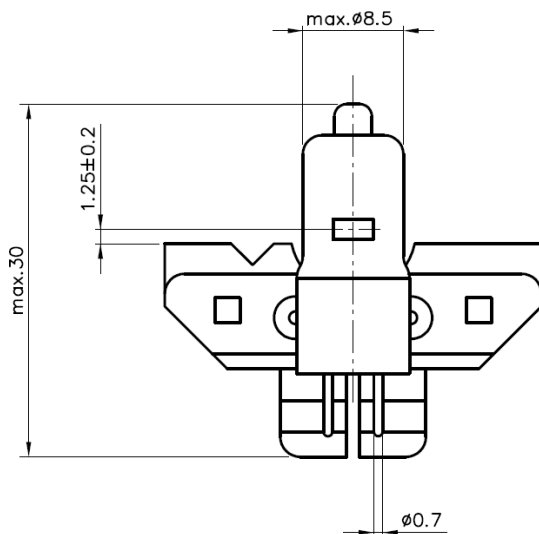
### Applications

Medical, Microscope, Analysis

## Technical Details

Type	HLWS5-A
Rated Voltage (V)	6
Wattage (W)	max. 27,5
Luminous Flux (lm)	510 ± 12%
Average Lifetime (h)	100
Base	PY16-1,25
Overall Length (mm)	max. 30
Bulb Diameter (mm)	max. 8,5
Light Center Length (mm)	1,25 ± 0,2
Operating Position	s90
Packaging Configuration	300 pcs.
Environmental Remark	Product don't contain lead or mercury and is conform with Directive 2002/95/EC "Restriction of the use of certain hazardous substances in electrical and electronic equipment".

## Drawing (in mm)



**ITT 360**  
WIR MACHEN VERTRIEB

[www.german-lamps.eu](http://www.german-lamps.eu)

[www.ventas-focos-itt360.com](http://www.ventas-focos-itt360.com)

