

# Product Information Sheet



## Medical



**Type SH5919**  
**12V 20W G4**

**Ordering - No.**  
**55919**

### Product Description

Special Halogen Lamp

### Features

Quartz Bulb, Exactly positioned Filament

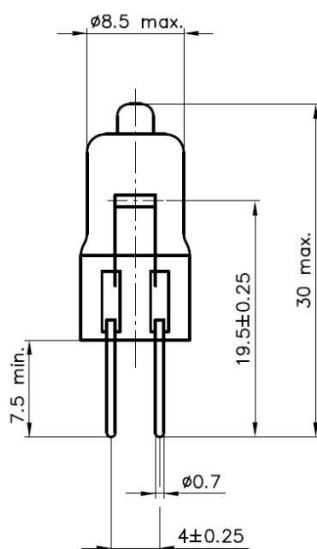
### Applications

Medical, Microscope, Analysis

## Technical Details

Category	HLL
Rated Voltage (V)	12
Wattage (W)	max. 22
Luminous Flux (lm)	350 ± 12%
Average Lifetime (h)	1000
Base	G4
Overall Length (mm)	max. 30
Bulb Diameter (mm)	max. 8,5
Light Center Length (mm)	19,5 ± 0,25
Operating Position	Optional
Packaging Configuration	100 pcs.
Environmental Remark	Product don't contain lead or mercury and is conform with Directive 2002/95/EC "Restriction of the use of certain hazardous substances in electrical and electronic equipment".

## Drawing (in mm)



**ITT 360**  
WIR MACHEN VERTRIEB

[www.german-lamps.eu](http://www.german-lamps.eu)

[www.ventas-focos-itt360.com](http://www.ventas-focos-itt360.com)

